

SD-PR DC SIGNAL CONVERTER & ISOLATOR

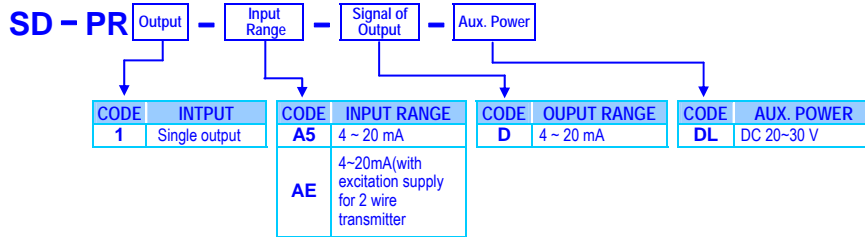
FEATURE

- Input signal for 4~20mA(with excitation supply available)
- Output 4~20mA with loop powered, self powered or auxiliary powered available
- DIN rail mounting with Ultra slim in 7.6 mm profile
- CE Approved & RoHS

Ultra Slim (7.6mm) type



ORDERING INFORMATION



TECHNICAL DATA

Signal input	
Input Range	Input Impedance
4 ~ 20 mA	250Ω

Analogue output			
Power Type	Output Range	Accuracy	Load Resistance
Auxiliary Power	4 ~ 20mA	≤ ±0.1% of F.S.	≤ 550Ω;

Response time: ≤ 100msec (10%~90% of FS)
Output ripple: ≤ ±0.1% of F.S.

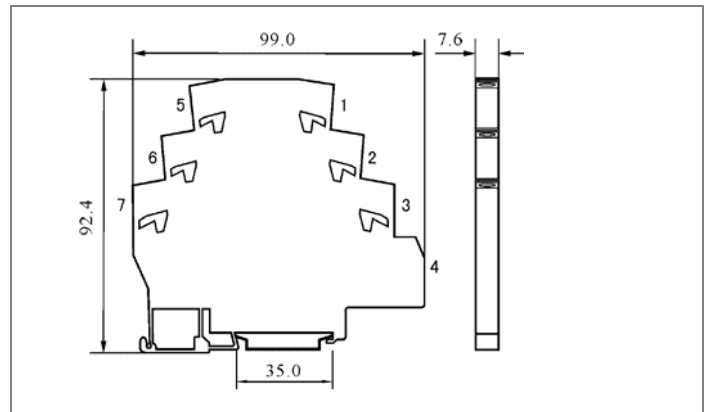
Power
Power supply: DC 20~30V
Excitation Supply: DC 19~24V
Power consumption: ≤ 60mA at 24V, 20mA

Environmental
Operating temp.: -10~60 °C
Operating humidity: 20~95% RH, Non-condensing
Temperature drift: 0.1% F.S./10°C
Storage temperature: -10~70 °C
Protection: IP 42

Mechanical
Dimensions: 7.6mm(W) x 99mm(H) x 92.4mm(D)
Housing: Self-extinguishing, black ABS, UL94V0
Terminals: Sprint terminal, up to 1.0 mm² wire
Mounting: 35mm DIN rail (EN50022)
Weight: 150g

Specification
EMC: EN 61326-1
Electric Isolation: AC 1.5KV for 1min; Between Power/Input/Output
Insulation resistance: ≥ 100MΩ at 500Vdc

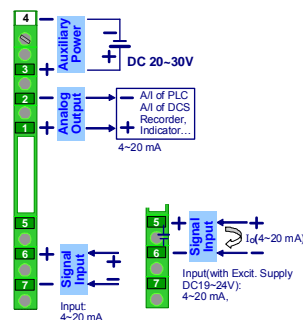
DIMENSIONS



CONNECTION DIAGRAM

Please check the voltage & type of power supplied first, and then connect to the specified terminals. It is recommended that power supplied to the meter be protected by a fuse or circuit breaker.

Auxiliary Powered type



Terminal and Wiring

